

ACME-SHOREY

PRECAST CONCRETE PRODUCTS

WWW.ACME-SHOREY.COM

PHONE (508) 548-9607

FAX (508) 548-1664

CARVER, MA

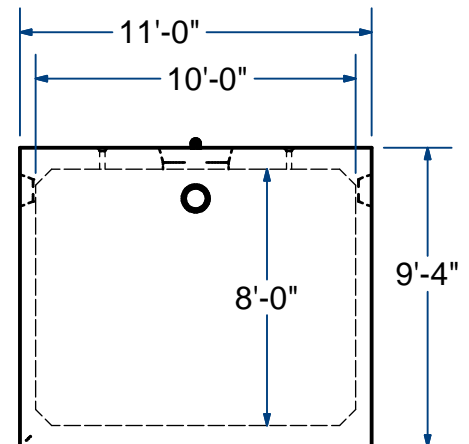
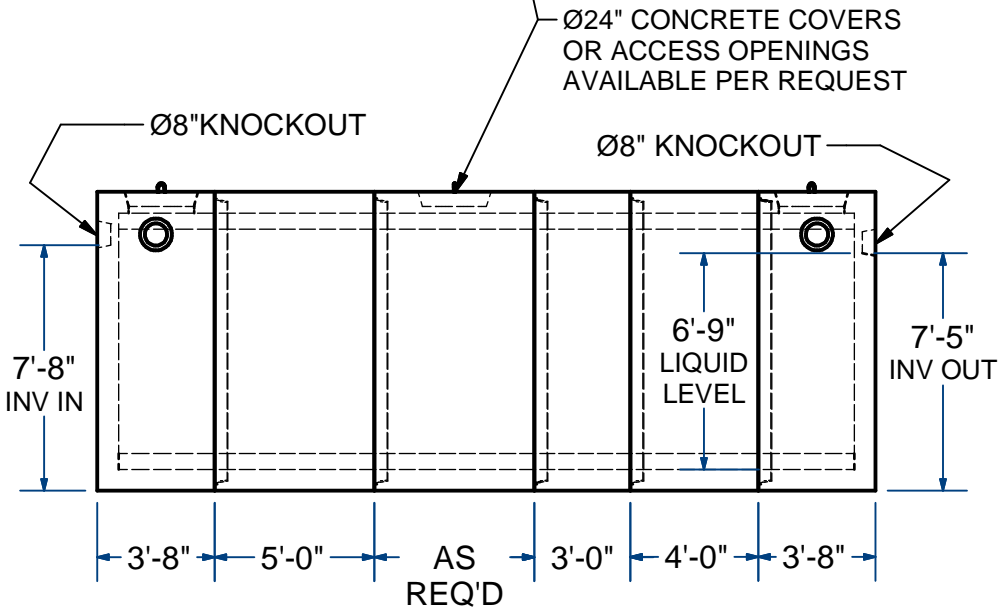
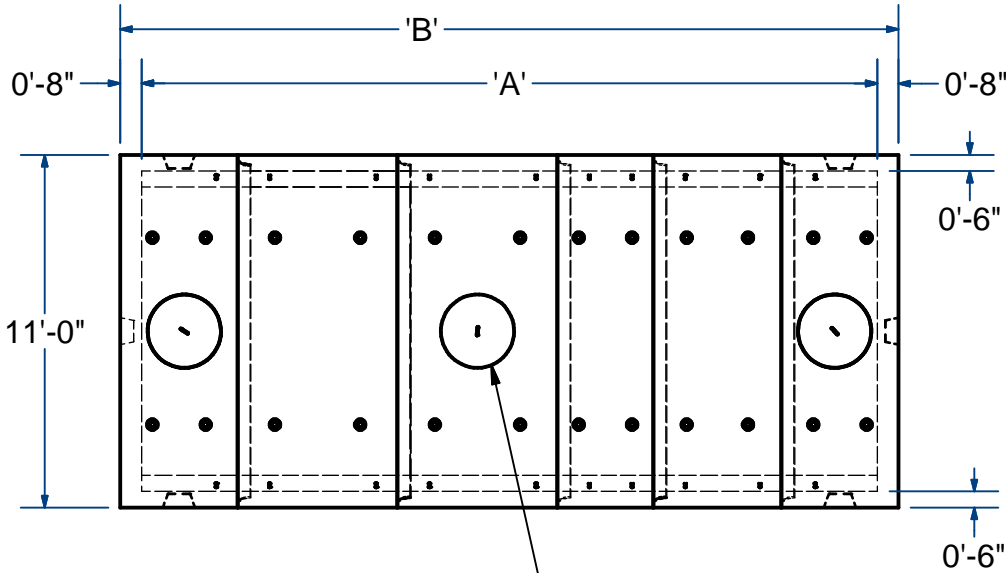
334 TREMONT STREET

HARWICH, MA

36 GREAT WESTERN ROAD

NOTES:

- 1.) LARGER GALLON SIZES AVAILABLE.
- 2.) ORING BETWEEN JOINTS
- 3.) OPTIONAL COVERS & ACCESS OPENINGS AVAILABLE.



TUNNEL TANK

H20

10,000 - 50,000 Gallon

ITEM# TT

Wt. CHART Lbs

17-1

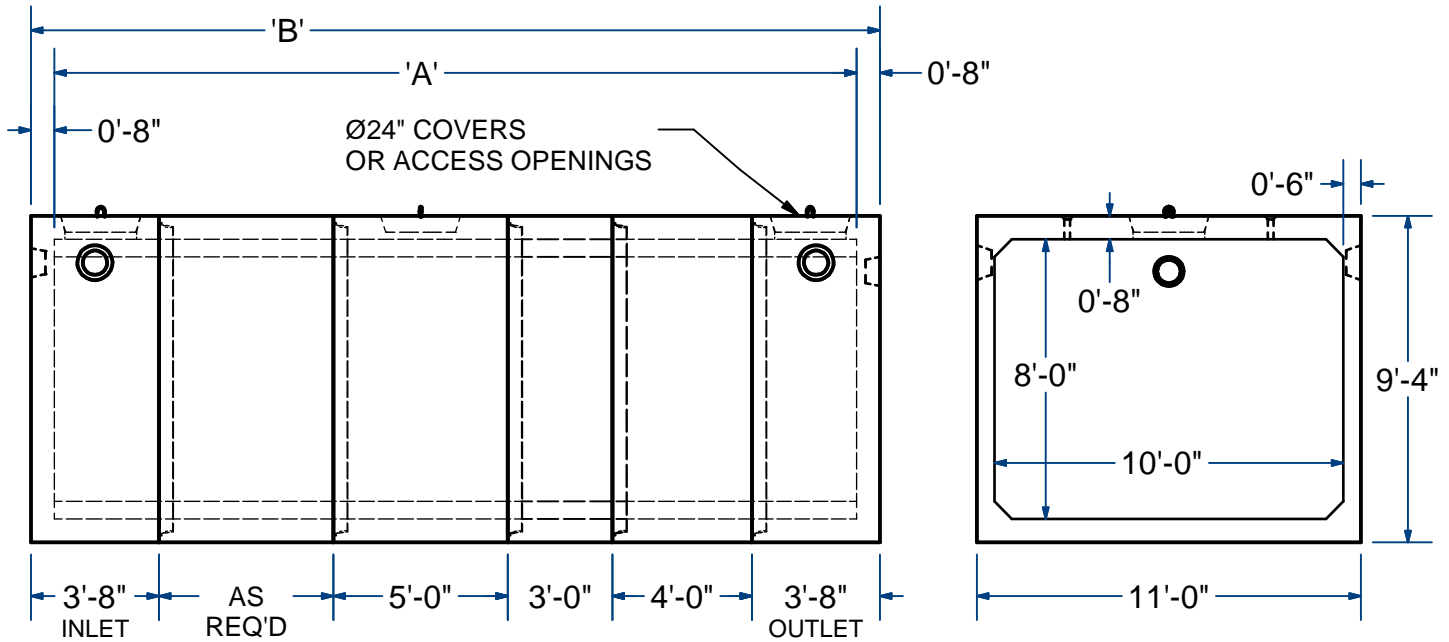
Sht 1 of 3

ACME-SHOREY

PRECAST CONCRETE PRODUCTS

NOTES:

- 1.) LARGER GALLON SIZES AVAILABLE.
- 2.) ORING BETWEEN JOINTS
- 3.) OPTIONAL COVERS & ACCESS OPENINGS AVAILABLE.



			1500 Gallon	1500 Gallon	2000 Gallon	2500 Gallon		
	Inner Lgth	Outer Lgth	21,720 Lbs	9,900 Lbs	13,540 Lbs	17,180 Lbs		
Gallons	A'	B'	3'-0" End Sections	3'-0" Mid Sections	4'-0" Mid Sections	5'-0" Mid Sections	Total Weight	
31,000	62'-0"	63'-4"	2	0	4	8	235,040	Lbs
32,000	64'-0"	65'-4"	2	0	2	10	242,320	Lbs
33,000	66'-0"	67'-4"	2	0	0	12	249,600	Lbs
34,000	68'-0"	69'-4"	2	0	3	10	255,860	Lbs
35,000	70'-0"	71'-4"	2	0	1	12	263,140	Lbs
36,000	72'-0"	73'-4"	2	0	4	10	269,400	Lbs
37,000	74'-0"	75'-4"	2	0	2	12	276,680	Lbs
38,000	76'-0"	77'-4"	2	0	0	14	283,960	Lbs
39,000	78'-0"	79'-4"	2	0	3	12	290,220	Lbs
40,000	80'-0"	81'-4"	2	0	1	14	297,500	Lbs
41,000	82'-0"	83'-4"	2	0	4	12	303,760	Lbs
42,000	84'-0"	85'-4"	2	0	2	14	311,040	Lbs
43,000	86'-0"	87'-4"	2	0	0	16	318,320	Lbs
44,000	88'-0"	89'-4"	2	0	3	14	324,580	Lbs
45,000	90'-0"	91'-4"	2	0	1	16	331,860	Lbs
46,000	92'-0"	93'-4"	2	0	4	14	338,120	Lbs
47,000	94'-0"	95'-4"	2	0	2	16	345,400	Lbs
48,000	96'-0"	97'-4"	2	0	0	18	352,680	Lbs
49,000	98'-0"	99'-4"	2	0	3	16	358,940	Lbs
50,000	100'-0"	101'-4"	2	0	1	18	366,220	Lbs

NAME: TUNNEL TANK , 31,000-50,000 Gallon

H-20

ITEM# TT-31-50

Concrete Minimum Strength: 5,000 p.s.i. at 28 days
 Steel Reinforcement: ASTM A615, Grade 60
 Design Loading: standard units - AASHTO - H20

WEIGHT CHART Lbs

C

DATE: 8-29-19